

ProTec 80 – the efficient crash barrier.



Mobile crash barrier ProTec 80 fulfils the containment levels T1, T3 and H1 with an extremely low ASI value A.

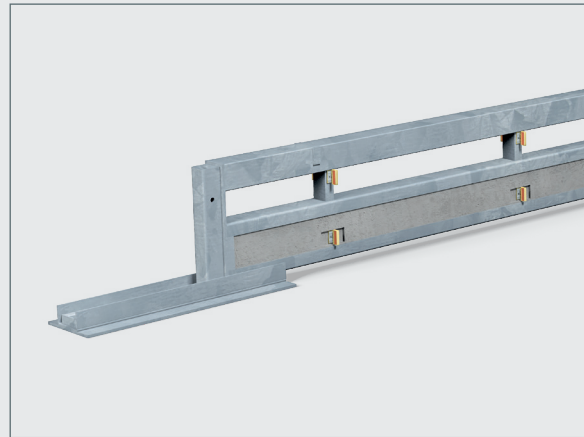
Mobile crash barriers in roadworks clearly enhance traffic safety. Their containment capacity prevents road users from leaving the carriageway and colliding with oncoming traffic, while also providing safe working conditions on site.

Berghaus Verkehrstechnik presents the latest addition to the ProTec family: ProTec 80. The mobile crash barrier combines the advantages of the lightweight ProTec 50 with the sturdy stability of our compact ProTec systems. It weighs just 80 kg per metre, thus permitting a higher transport volume, and making ProTec 80 even more efficient. As with all ProTec crash barriers, reflectors are fastened at regular intervals on both sides at the top and bottom of the elements, thus eliminating the

need for additional yellow road markings parallel to the barrier. The crash barrier elements are six metres long with a generous water opening, so that this system again prevents any dangerous accumulation of rainwater at the barrier. ProTec 80 is 50 cm wide and has a structural width of 24 cm. The system has been successfully tested according to DIN EN 1317 with free-standing installation in containment levels T1/T3. Only the starter element was anchored in the H1 impact test with a 10t truck. The lowest impact force level of A was achieved in all three impact attempts. And so ProTec 80 enhances our proven ProTec family portfolio by adding another interesting, easily handled crash barrier system for many different applications.

ProTec 80: the clever combination of steel and concrete.

Technical data	
Containment level	T1 / T3 / H1
Effective range	W1 / W2 / W6
ASI value	A / A / A
Structural width	0.24 m
Height	0.50 m
Element length	6 m
Minimum installation length	156 m
Ground anchoring	no/no/start element yes
Weight per m	80 kg



Standard element 6 m

Test conditions as per DIN EN 1317-2		
Acceptance test	TB 21 / TB 41	TB 11 / TB 42
Test vehicle	PKW / LKW	PKW / LKW
Weight	1.3t / 10t	0.9t / 10t
Impact angle	8° / 8°	20° / 15°
Speed	80 km/h / 70 km/h	100 km/h / 70 km/h

Advantages of ProTec 80 at a glance:

- positive appraisal and approval by BASt
- our lightest safety barrier with T3 and H1 testing
- low element weight for high transport loading volume
- narrow structural width needs minimum space requirements
- quick and easy installation
- reflectors mounted in protected recess
- generous water drainage opening under the crash barrier
- no risk of aquaplaning or of dirt accumulating in front of the crash barrier
- H1-tested, therefore no tipping length limitation (KLB element) necessary
- rubber-based stands protect the road surface
- force-fit connections available for all ProTec systems

The ProTec family consists of several successfully tested mobile crash barriers – for all application areas of mobile road restraint systems pursuant to the ZTV-SA. Despite differing shapes and structures, all mobile crash barriers in the ProTec family can be combined with each other and fitted together with force-fit connections. Mobile crash barriers in the ProTec family can also be combined with stationary restraint systems or mobile systems by other manufacturers with a force-fit connection.



The ProTec set in scene:
as 360° view and as video



Peter Berghaus GmbH
Herrenhöhe 6
51515 Kürten-Herweg
P +49 2207 9677-0
F +49 2207 9677-80
mail@berghaus-verkehrstechnik.de
www.berghaus-verkehrstechnik.de



Subject to technical changes and errors.
Products may differ from illustrations
shown. All details are approximate.